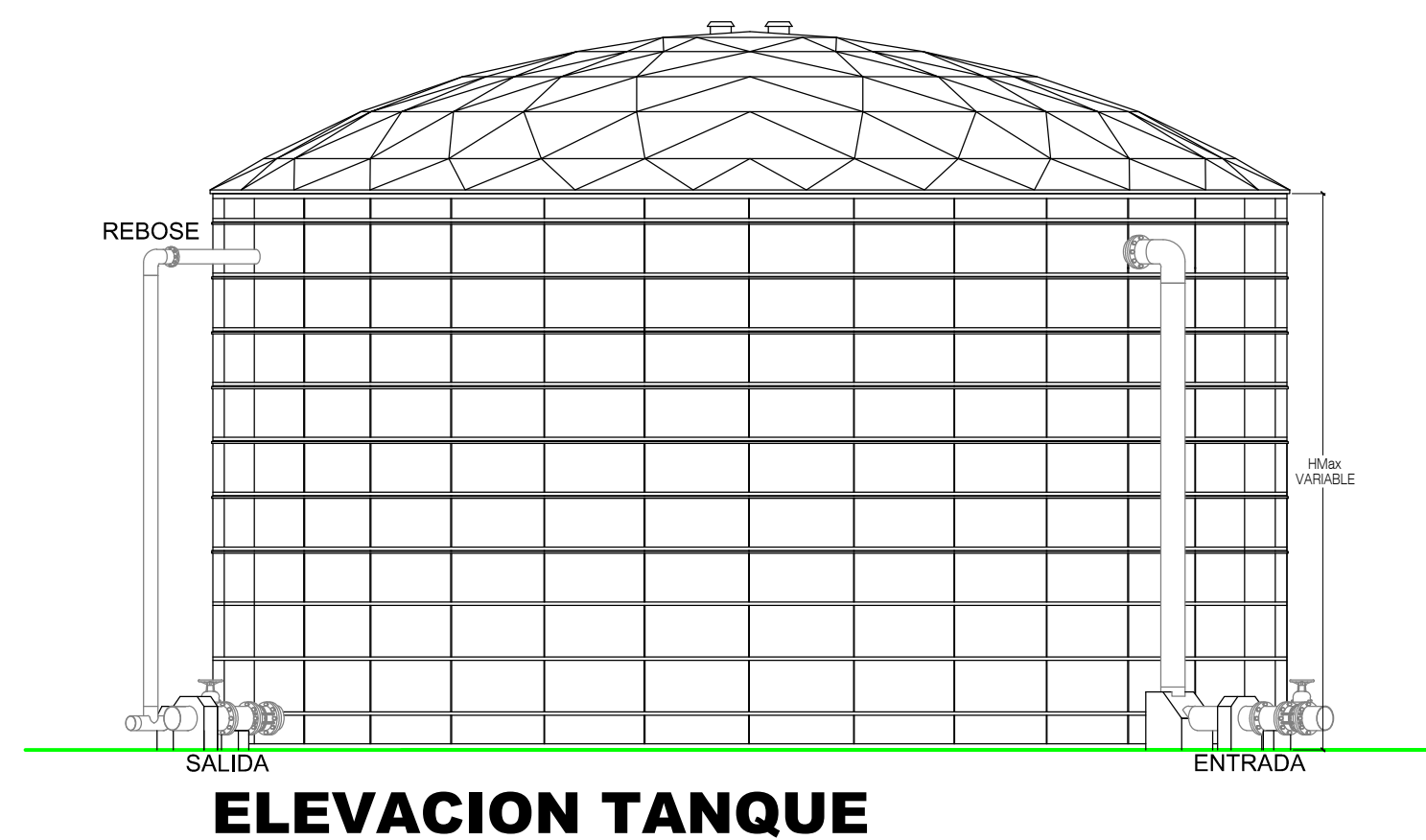
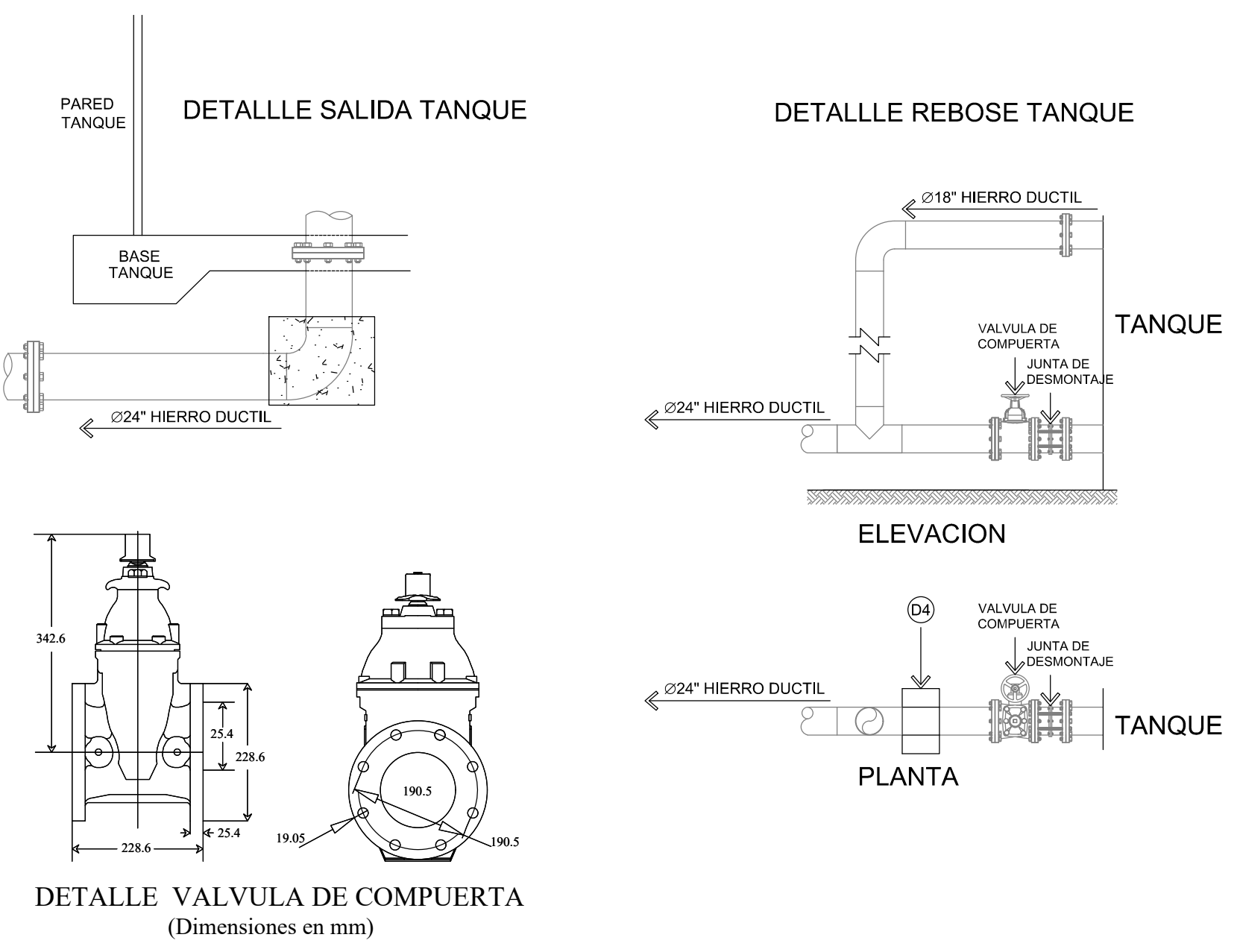
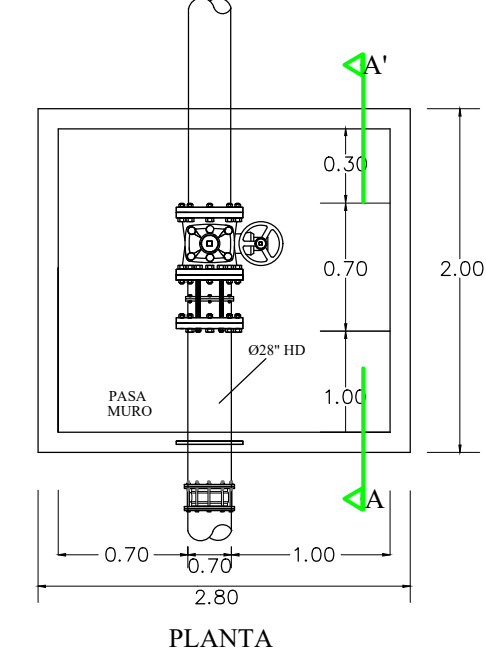
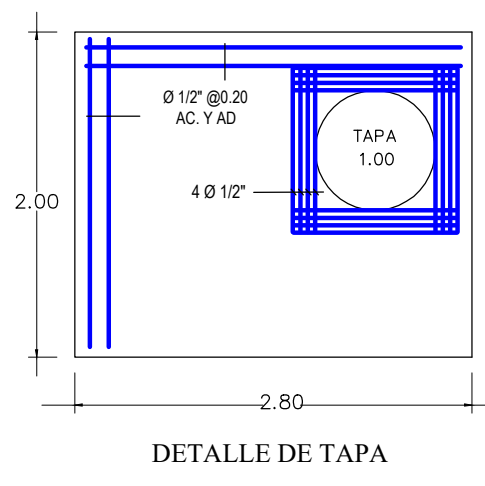
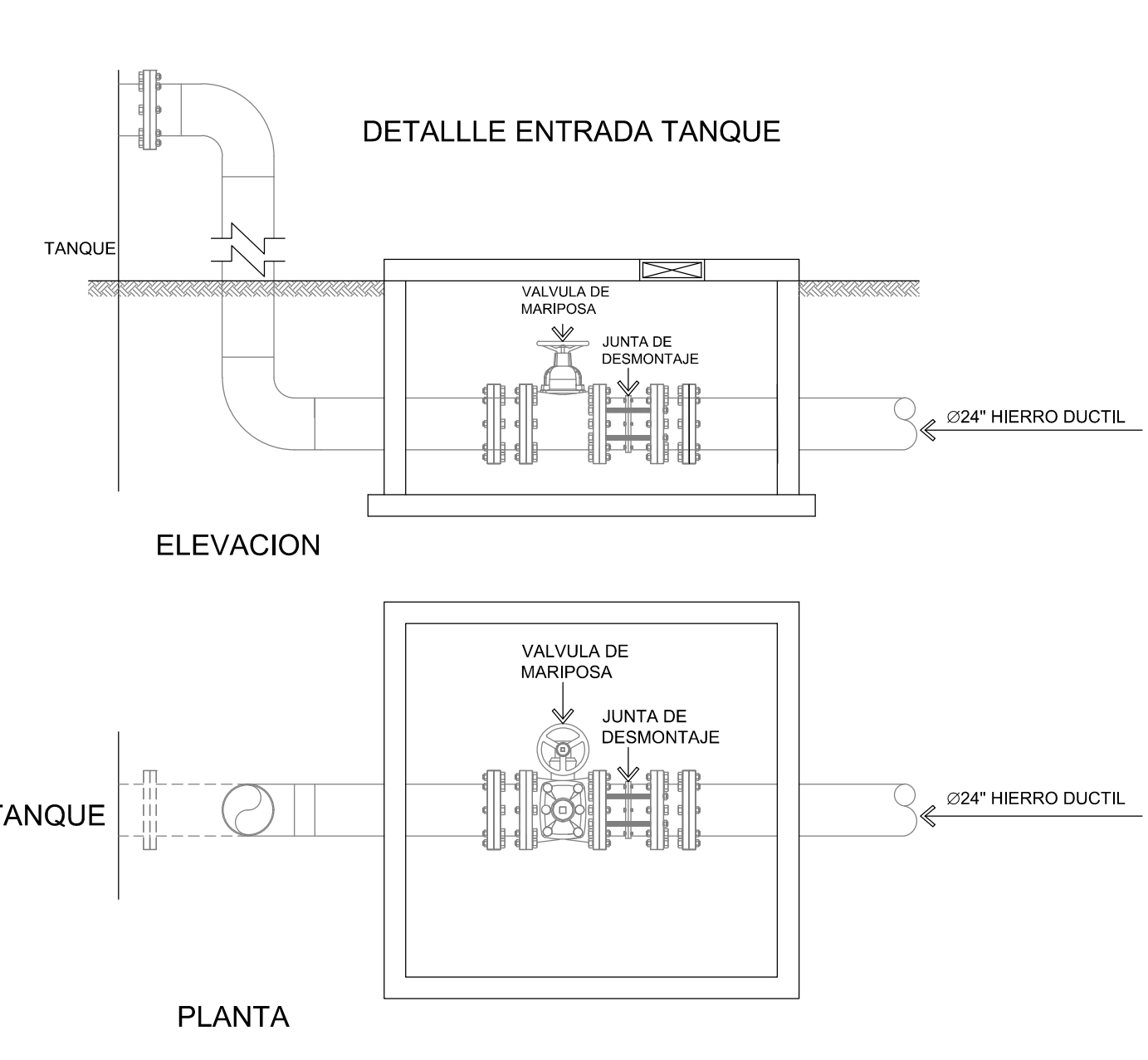


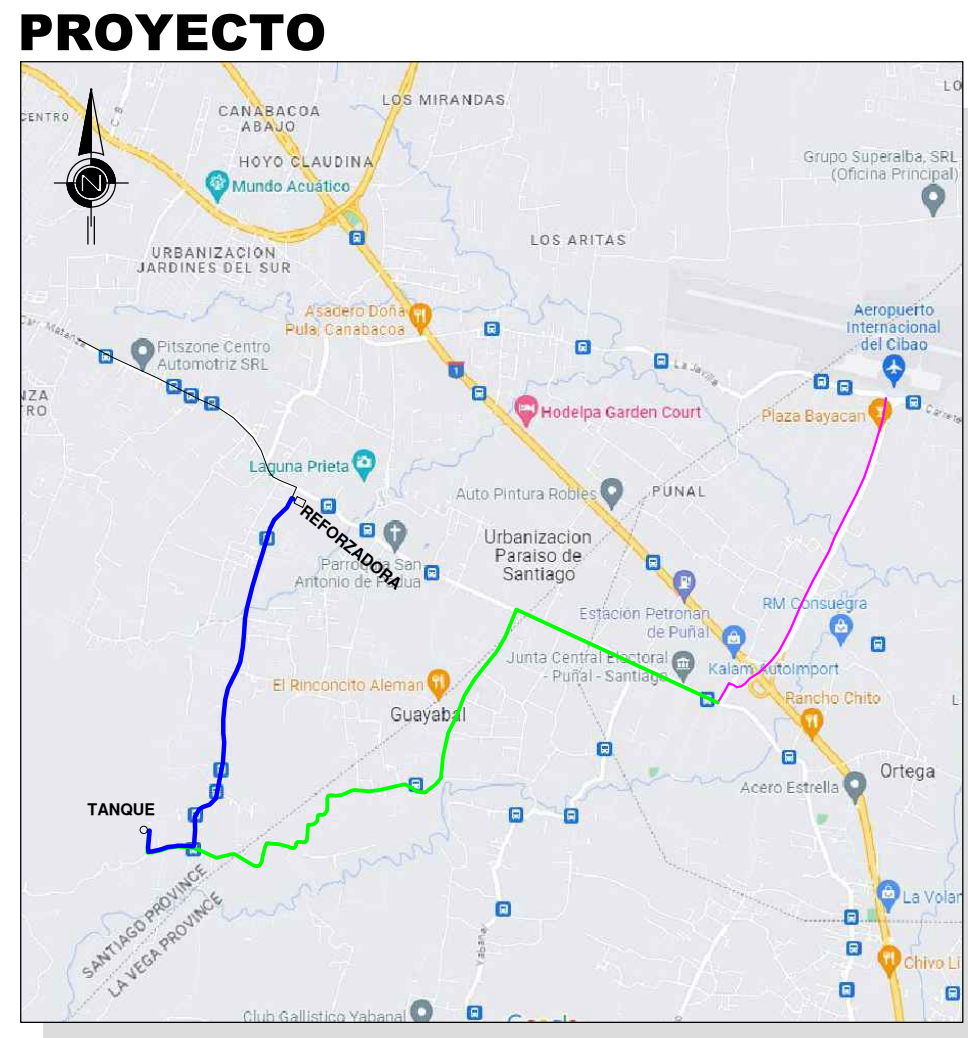
PLANTA ARQUITECTONICA TANQUE



ELEVACION TANQUE



DETALLE REGISTRO PARA VALVULA



LEYENDA

- LINEA A COLOCAR DE Ø12" PVC
- LINEA A COLOCAR DE Ø16" PVC
- LINEA A COLOCAR DE Ø24" PVC
- LINEA A COLOCAR DE Ø24" HD
- VENTOSA
- VALVULA

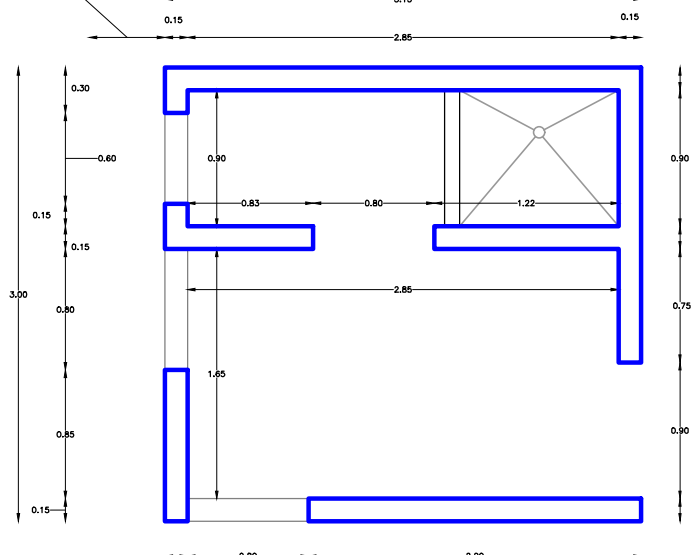
ESCALA GRAFICA 1:150

NOTAS GENERALES EN LOSAS MACIZAS

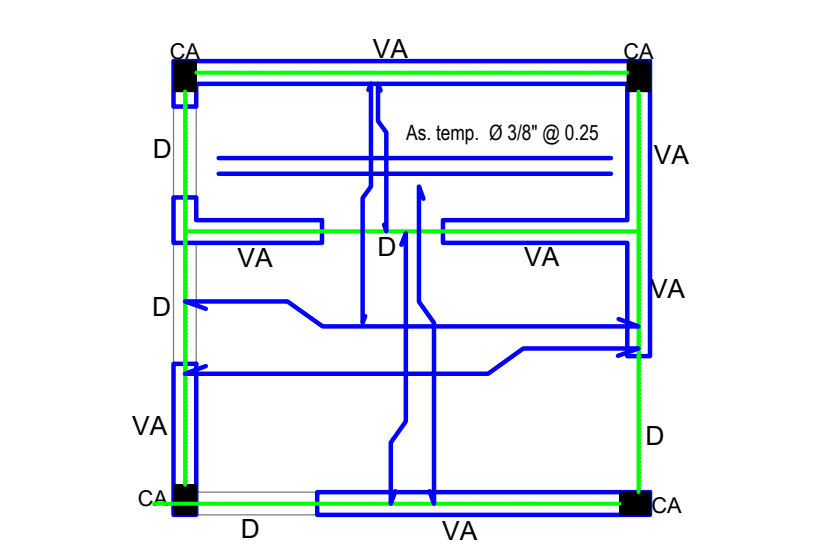
- ESPESOR DE LOSAS NUEVAS:
 - TECHO 0.12 Mts. (S.I.C.)
 - ENTREPISO 0.12 Mts. (S.I.C.)
- ACERO GENERAL EN LOSAS:
 - Ø 3/8" @ 0.25 Mts, S.I.C.

- Columnas.Ver (DE/DE.01).
- Muros de hormigón.Ver (F/DE.01).
- Vigas principales.
- Vigas secundarias.

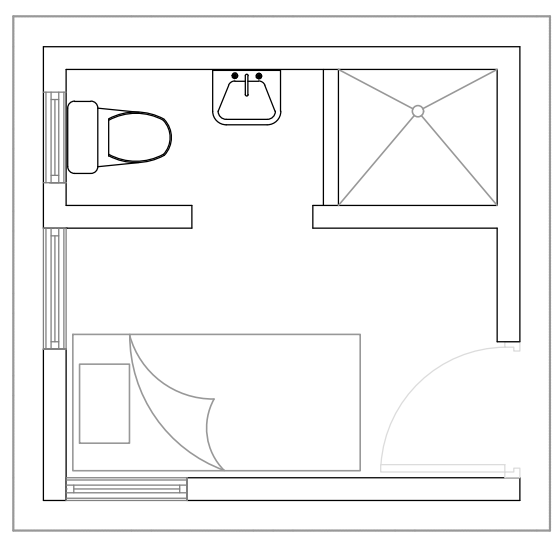
CASETA OPERADOR TANQUE ESC 1:50



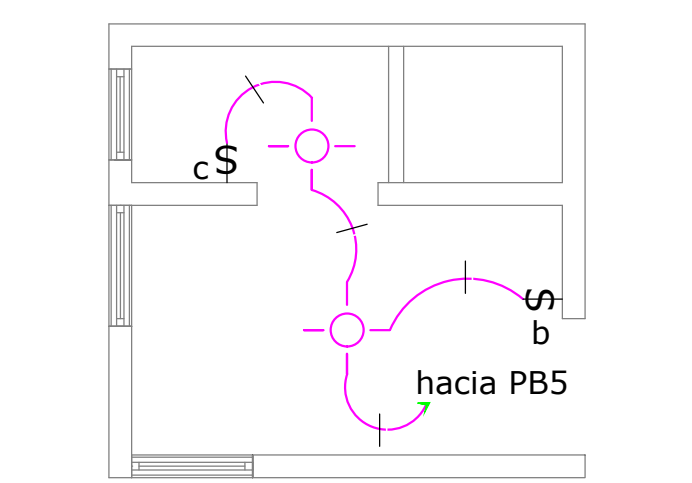
PLANTA DIMENSIONADA



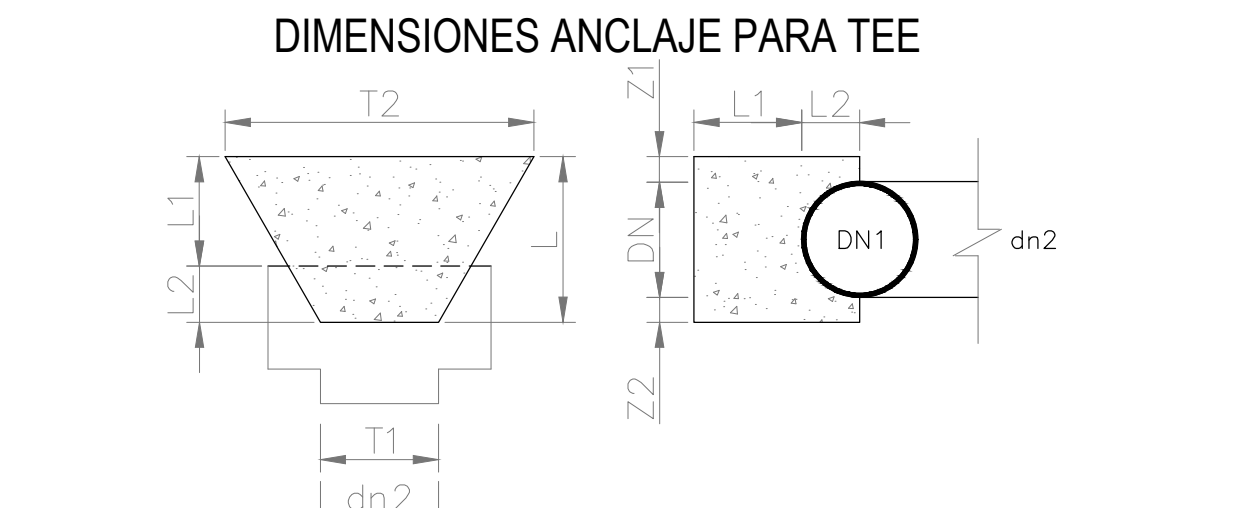
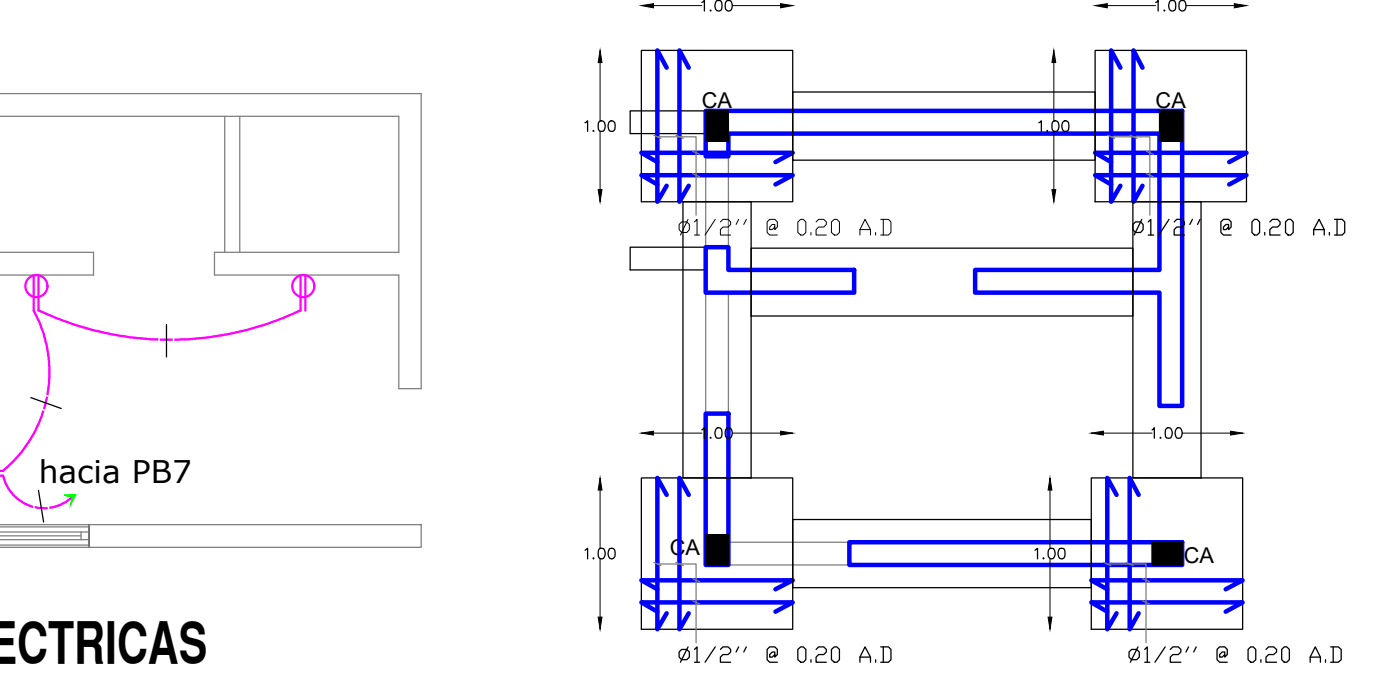
PLANTA ESTRUCTURAL



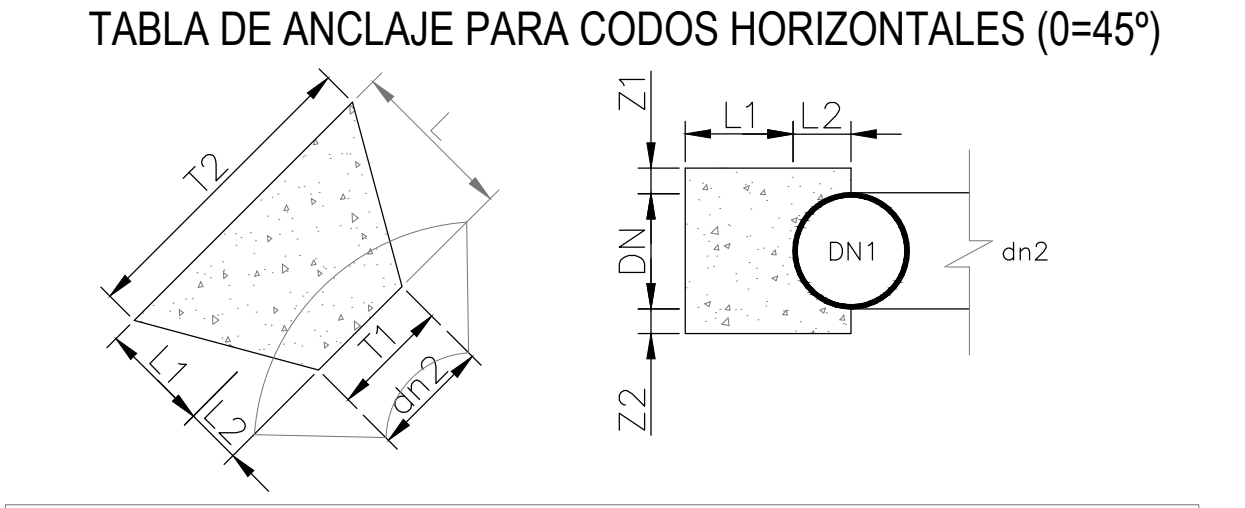
PLANTA AMUEBLADA



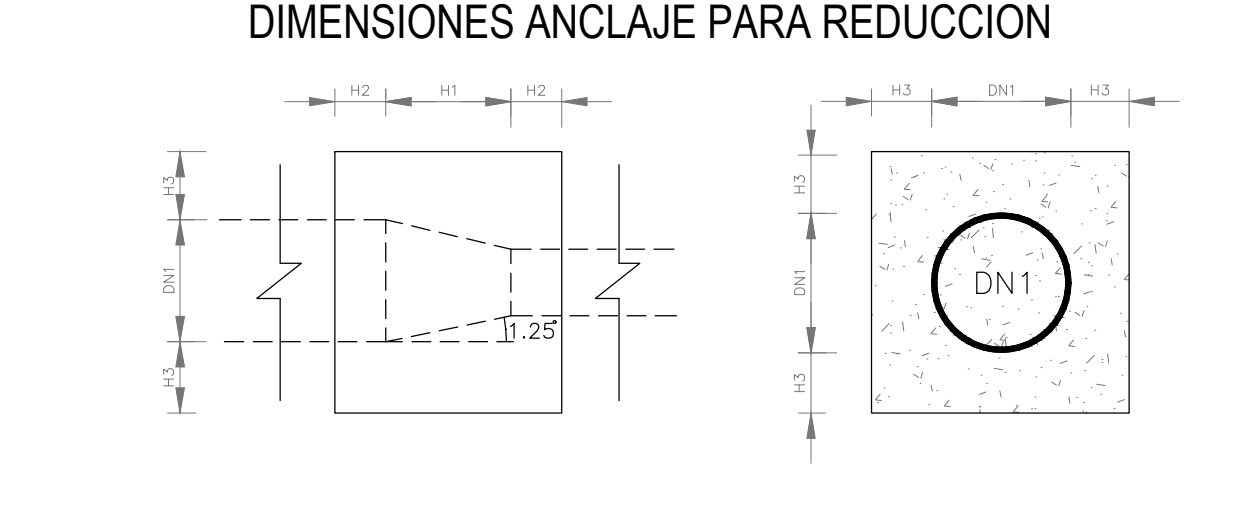
INSTALACIONES ELECTRICAS



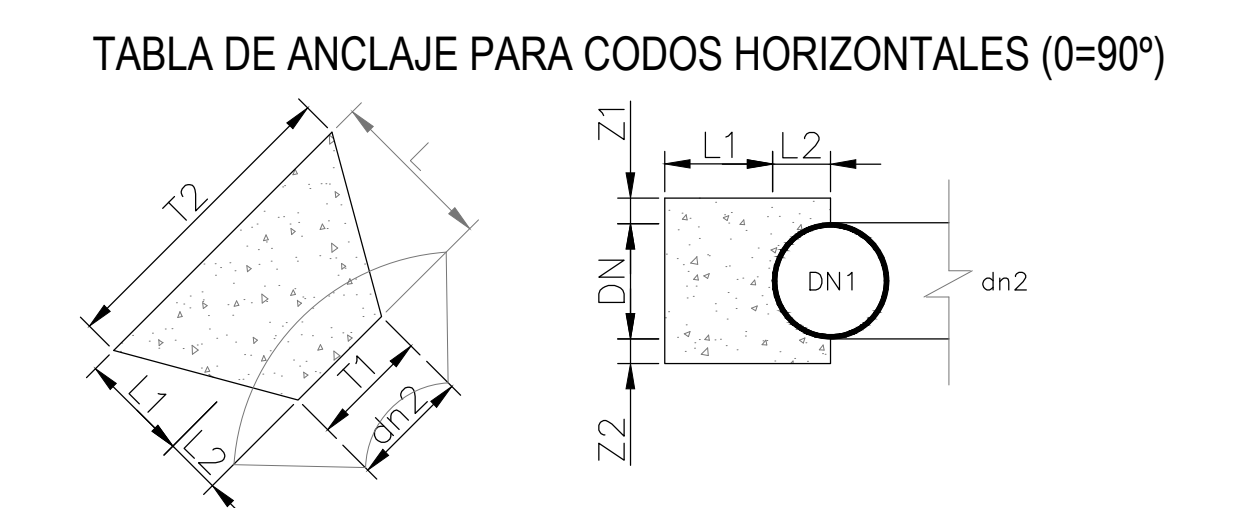
DIAMETRO NOMINAL (DN1 x dn2)	Z2	Z1	ALTURA TOTAL	T1	T2	L1	L2	L	VOLUMEN CONCRETO (M ³) (F=210 kg/cm ³)	ACERO (Fy=4,200kg/cm ²) VARRILLAS SEPARACION (CM)
75x75	20.00	20.00	47.50	15.00	15.00	20.00	3.75	23.75	0.017	NO REQUERIDO
100x75	30.00	30.00	70.00	20.00	20.00	25.00	5.00	30.00	0.042	NO REQUERIDO
150x150	30.00	30.00	75.00	30.00	35.00	25.00	7.50	32.50	0.078	Ø3/8" Ø30
300x300	30.00	30.00	90.00	60.00	120.00	30.00	15.00	45.00	0.354	Ø3/8" Ø15
500x500	35.00	35.00	130.00	120.00	220.00	40.00	30.00	70.00	1.469	Ø1/2" Ø15
600x600	35.00	35.00	130.00	120.00	315.00	40.00	30.00	70.00	1.868	Ø1/2" Ø15
700x500	35.00	35.00	130.00	120.00	315.00	40.00	30.00	70.00	1.868	Ø1/2" Ø15
900x700	45.00	45.00	180.00	180.00	305.00	40.00	45.00	85.00	3.468	Ø1/2" Ø10



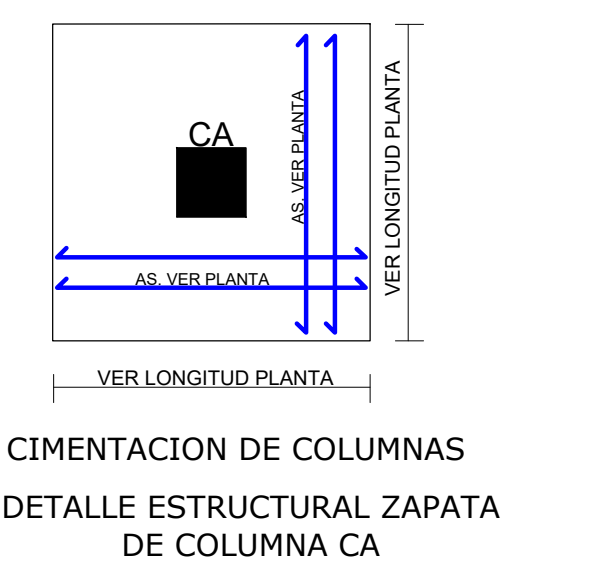
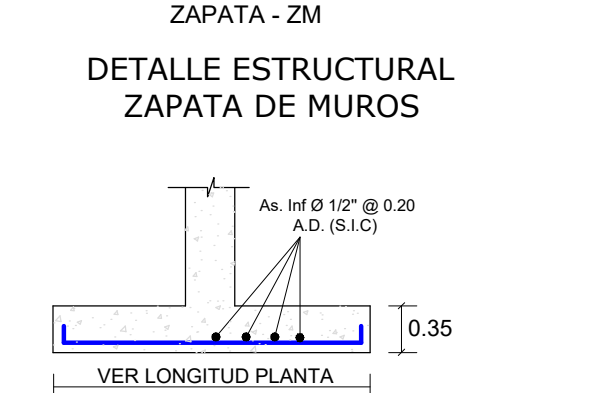
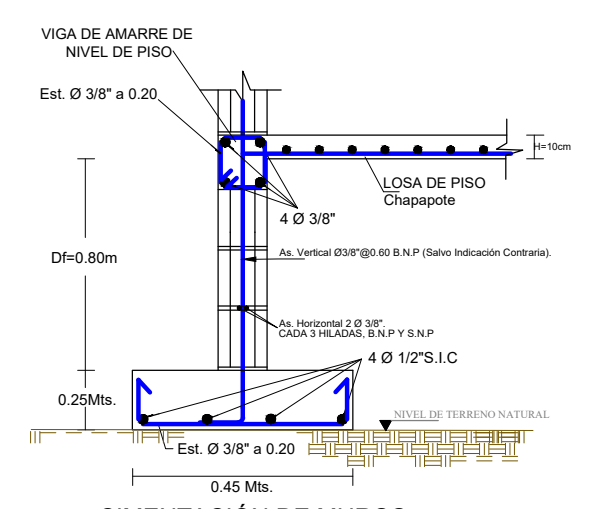
DIAMETRO NOMINAL (DN)	Z2	Z1	ALTURA TOTAL	T1	T2	L1	L2	L	VOLUMEN CONCRETO (M ³) (F=210 kg/cm ³)	ACERO (Fy=4,200kg/cm ²) VARRILLAS SEPARACION (CM)
75	20.00	20.00	47.500	15.00	15.00	20.00	3.75	23.75	0.017	NO REQUERIDO
100	30.00	30.00	70.00	20.00	20.00	25.00	5.00	30.00	0.042	NO REQUERIDO
150	30.00	30.00	75.00	30.00	30.00	30.00	7.50	37.50	0.084	Ø3/8" Ø25
200	30.00	30.00	80.00	40.00	45.00	40.00	10.00	50.00	0.168	Ø3/8" Ø20
250	35.00	35.00	95.00	50.00	60.00	40.00	12.50	52.50	0.271	Ø3/8" Ø20
300	35.00	35.00	100.00	60.00	80.00	40.00	15.00	55.00	0.378	Ø3/8" Ø15
350	35.00	35.00	105.00	70.00	105.00	40.00	17.50	57.50	0.516	Ø3/8" Ø15
400	40.00	40.00	120.00	80.00	115.00	50.00	20.00	70.00	0.801	Ø3/8" Ø10
450	40.00	40.00	125.00	90.00	140.00	50.00	22.50	72.50	1.014	Ø3/8" Ø10
500	40.00	40.00	130.00	100.00	165.00	50.00	25.00	75.00	1.251	Ø3/8" Ø10
700	40.00	40.00	140.00	120.00	220.00	50.00	30.00	80.00	1.826	Ø1/2" Ø15



DIAMETRO NOMINAL (DN1 x dn2)	H1	H2	LARGO	H3	ANCHO	ALTURA	H4	VOLUMEN CONCRETO (M ³) (F=210 kg/cm ³)	ACERO (Fy=4,200kg/cm ²) VARRILLAS SEPARACION (CM)
700x500	30.00	45.00	120.00	45.00	160.00	160.00	55.00	2.725	Ø1/2" Ø15



DIAMETRO NOMINAL (DN)	Z2	Z1	ALTURA TOTAL	T1	T2	L1	L2	L	VOLUMEN CONCRETO (M ³) (F=210 kg/cm ³)	ACERO (Fy=4,200kg/cm ²) VARRILLAS SEPARACION (CM)
75	20.00	20.00	47.500	15.00	20.00	20.00	3.75	23.75	0.020	NO REQUERIDO
100	30.00	30.00	70.00	20.00	25.00	25.00	5.00	30.00	0.047	NO REQUERIDO
150	30.00	30.00	75.00	30.00	30.00	30.00	7.50	37.50	0.111	Ø3/8" Ø25
200	30.00	30.00	80.00	40.00	35.00	30.00	10.00	50.00	0.247	Ø3/8" Ø15
250	35.00	35.00	95.00	50.00	40.00	40.00	12.50	52.50	0.392	Ø3/8" Ø15
300	35.00	35.00	100.00	60.00	50.00	40.00	15.00	55.00	0.564	Ø1/2" Ø20
350	35.00	35.00	105.00	70.00	60.00	40.00	17.50	57.50	0.762	Ø1/2" Ø20
400	40.00	40.00	120.00	80.00	70.00	50.00	20.00	70.00	1.205	Ø1/2" Ø15
450	40.00	40.00	125.00	90.00	80.00	50.00	22.50	72.50	1.534	Ø1/2" Ø15
500	40.00	40.00	130.00	100.00	90.00	50.00	25.00	75.00	1.889	Ø1/2" Ø15
700	40.00	40.00	140.00	120.00	100.00	50.00	30.00	85.00	2.725	Ø1/2" Ø10



REPUBLICA DOMINICANA
CORPORACION DEL ACUEDUCTO Y ALCANTARILLADO DE SANTIAGO
DIRECCION DE PROYECTOS ESPECIALES
ESTUDIOS Y PROYECTOS

CONTENIDO:
CONSTRUCCION SISTEMA AGUA POTABLE PUÑAL- LA PENDA, PLANIMETRIA Y DETALLES

LOCALIZACION:
PUÑAL - LA PENDA, SANTIAGO

RUTA DEL ARCHIVO:
W:\LA PENDA\ESTACION REFORZADORA PUÑAL, SANTIAGO.dwg

DISENO: ING. EDUARDO CRUZ
ING. MIKEY DI ROSA

REVISADO: ING. EDUARDO CRUZ
COORDINADOR DE DISEÑO

ELABORACION DE PLANOS:
DISEÑO Y PLANIMETRIA
ARQ. DANIEL MOREL

LEVANTAMIENTO: GEODESIA Y MENSURA

FECHA: AGOSTO 2023

APROBADO:
ING. LUIS GUEVARA
DIRECTOR DE PROGRAMAS Y PROYECTOS ESPECIALES

HOJA:
19
25